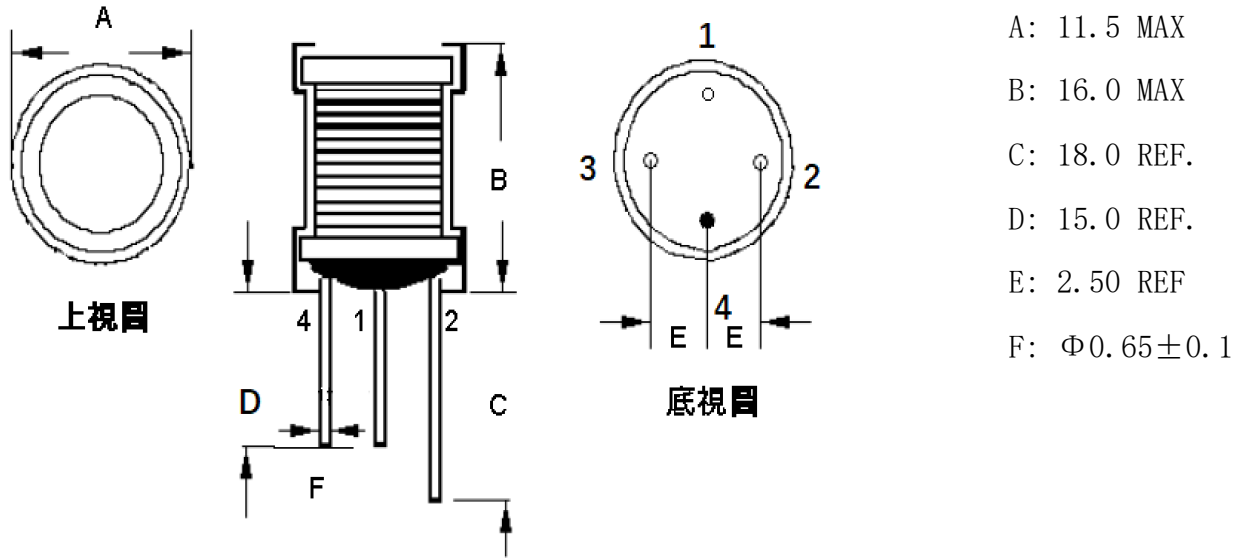


SPECIFICATION FOR APPROVAL

DATE:2021/8/6

CUSTOMER:XX	PART NO:	CUSTOMER REV:
DESCRIPTION: 三脚工字电感	JF PART NO: LGB0912-3V-400UH-99MH	JF REV:01

1. CONFIGURATION DIMENSIONS (UNIT:mm)



备注：4 脚空置不接脚，1，3 接短脚，2 接长脚，绕线顺序如下图，CORE 底部需点胶固定。
外套 PVC 套管。

2. ELECTRICAL CHARACTER:

(1). INDUCTANCE : AT: 1KHZ 0.25V (TH2816B)

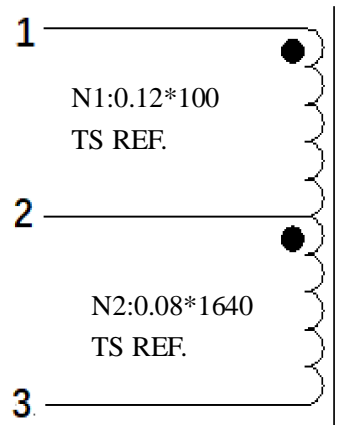
L (1-2) : 400uH ± 10%

L (2-3) : 99mH ± 10%

(2). DC RESISTANCE : AT: 25 °C

DCR (1-2) : 3 Ω MAX

DCR (2-4) : 145 Ω MAX



APPROVED BY: wangwen

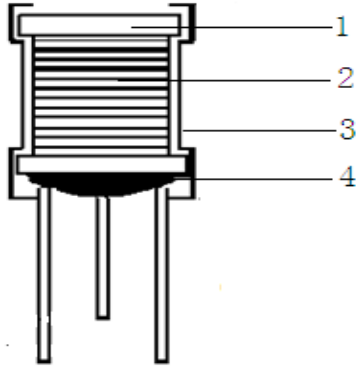
HECKED BY: chensong

DRAWN BY: huangyao

SPECIFICATION FOR APPROVAL

DATE:2021/7/13

CUSTOMER: XX	PART NO:	CUSTOMER REV:
DESCRIPTION: 三脚工字电感	JF PART NO: LGB0912-3V-400UH-99MH	JF REV:01



1. CORE: DR3W9*12 B:3.8 F:7 P:5

2. WIRE: N1 (1-2) Φ 0.13mm*98TS REFN2 (2-3) Φ 0.08mm*1640TS REF

3. EPOXY:6020H

4. TUBE: Φ 9mm

NO	ITEM	MATERIAL	SUPPLIER OF THE MATERIAL
1	CORE	DR3W9*12	RUIYUAN ELECTRONICS CO.,LTD OR EQUIVALENT
2	WIRE	2UEW 2UEW	PACIFIC ELECTRIC WIRE & CABLE CO.,LTD 【E201757】 JUNG SHING WIRE CO.,LTD 【E174837】
3	EPOXY	6020H	WELLS ELEC TRONIL MATERIAL (GUANGZHOU)CO.,LTD 【E229633】 OR EQUIVALENT
4	TUBE	PVC TUBE	WOER HEAT-SHRINKABLE MATERIALCO.,LTD 【E203950】
5			
6			
7			

APPROVED BY:

HECKED BY:

DRAWN BY: XX

中山市玖丰电子有限公司

特性测试报告

CUSTOMER: XX		CUSTOMER P/N:		CUSTOMER REV:		TEST DATE: 2021/8/6	
PART NAME: CHOKE COIL		JF PART NO: LGB0912-3V-400UH-99MH		JF REV: 01		QUANTITY: 5PCS	
TEST ITEM	L(1-2)	L(2-3)	DCR(1-2)	DCR(2-3)			
TEST CONDITION	1KHZ 0.3V		25°C				
SPEC.	400uh±10%	99mH±10%	3Ω MAX	145Ω MAX			
01	7.80	7.80	2.16	122.00			
02	9.50	9.50	2.21	123.10			
03	7.70	7.70	2.13	122.10			
04	7.84	7.83	2.14	121.50			
05	8.50	8.50	2.17	122.60			
06							
07							
08							
09							
10							
11							
12							
13							
14							
15							
\bar{X}	8.27		2.16				
σ	0.678		0.028				
Cpk	3.57		392.94				
1. TEST INSTRUMENTS: <input type="checkbox"/> HP-4284A METER <input type="checkbox"/> HP-4285A METER <input type="checkbox"/> HP-4191A METER <input type="checkbox"/> CH-3200 METER <input type="checkbox"/> CH-310 METER <input type="checkbox"/> CH-3305 METER <input checked="" type="checkbox"/> VR113+VR712 METER <input checked="" type="checkbox"/> WK3260B+3265B METER <input type="checkbox"/> VR562 METER <input checked="" type="checkbox"/> CH-502B DCR METER 2. CONDITION TEMPERATURE: 25°C HUMIDITY: %RH							
				APPROVED BY	CHECKED BY	PREPARED BY	
				XX	XX	XX	

TEST DATA NO: BWIEG0002-09A

中山市玖丰电子有限公司
尺寸测量分布报告

CUSTOMER:XX			CUSTOMER P/N:				CUSTOMER REV:			TEST DATE:2021/8/6	
PART NAME:CHOKE COIL			JF PART NO: LGB0912-3V-400UH-99MH				JF REV: 01			QUANTITY:5PCS	
TEST ITEM	A	B	C	D	E	F	G	H	I	J	K
SPEC.	11.50	16.00	18.00	15.00	2.50	0.65					
	MAX	MAX	REF.	REF.	REF.	±0.1					
01	9.60	14.80	17.90	15.20	2.48	0.64					
02	9.70	14.90	18.10	15.20	2.49	0.65					
03	9.80	14.80	17.50	15.30	2.47	0.65					
04	9.60	14.70	17.40	15.10	2.48	0.64					
05	9.90	14.60	17.60	15.20	2.46	0.65					
06											
07											
08											
09											
10											
11											
12											
13											
14											
15											
\bar{X}	9.72	14.76	17.70	15.20	2.48	0.65	#DIV/0!				
σ	0.117	0.102	0.261	0.063	0.010	0.005	#DIV/0!				
Cpk	17.95	2.48	14.96	37.95	164.21	466.36	#DIV/0!				
APPROVED BY											
CHECKED BY											
PREPARED BY											
XX				XX				XX			

TEST DATA NO:BWIEG0002-10A